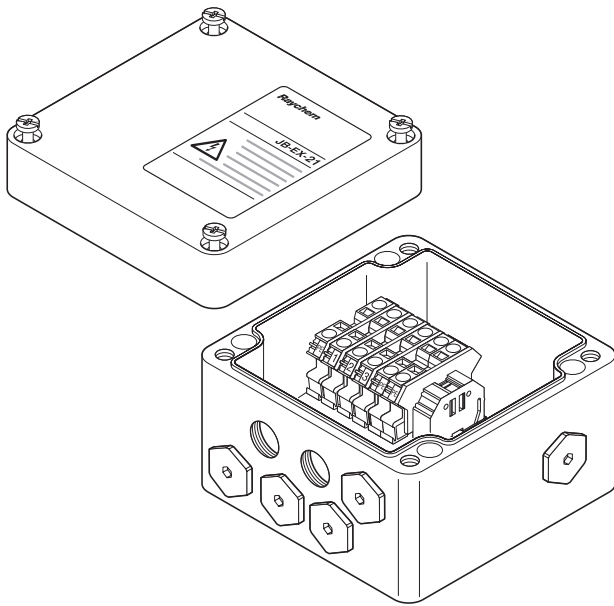


MULTI PURPOSE JUNCTION BOX



Industrial polyester junction box for use in hazardous areas. This box can be used to make connections between power cables, heating cables and cold lead cables using M20 connection kits. Depending on the configuration of the system, the box can accommodate six heating cables/cold leads and a power cable. M20 connection kits have to be ordered separately depending on the type of heating cable being used. Cable connection is accomplished via DIN rail mounted spring-type terminals.

The box can be either wall or pipe mounted via the four holes moulded in the base of the box. For pipe mounting use one of the standard support bracket.

TYPICAL USE

Power supply box, end-box, splice box (3-phase and loop), marshalling box.

ENTRIES

6 x M20

1 x M32

KIT CONTENTS

1 x junction box with terminals on DIN rail

4 x M20 stopping plugs

2 x M20 rain plug (temporary)


1 x M32 stopping plug

1 x terminal jumper allowing various wiring configurations (remove terminal plate)

APPROVALS

PTB 00 ATEX 1002



 II 2G Ex edm ia [ia] IIC T6, T5 and T4

 II 2D Ex tD A21 IP66 T85°C, T100°C and T135°C

IECEX PTB 08.0004

Ex e ia II, IIC T6, T5, T4

Ex tD A21 IP66 T 85°C, T 100°C, T 135°C

  TC RU C-BE.MIO62.B.02853
1Ex e d m ia [ia] IIC T6...T4

MATERIALS OF CONSTRUCTION

Box & lid	Electrostatic charge-resistant glass-filled engineered polymer, black
Sealing gasket	Silicone rubber
Lid fixing screws	Stainless steel (captive)

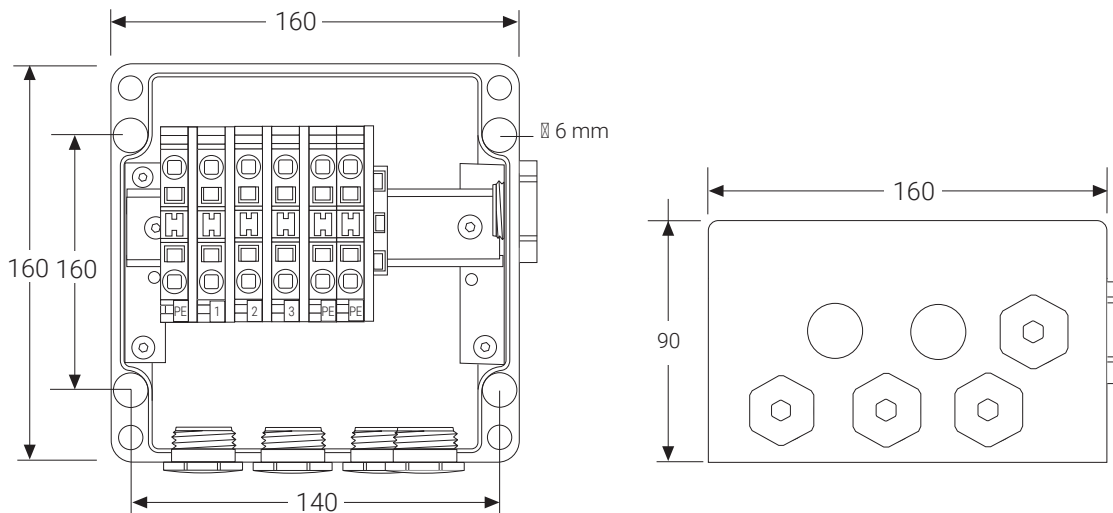
INGRESS PROTECTION

IP66

AMBIENT TEMPERATURE RANGE

-55°C to +55°C

DIMENSIONS (IN MM)



TERMINALS

Quantity	6 pc.
Type	Spring-type
Labeling	1, 2, 3, 3 x PE
Maximum conductor size	10 mm ² (solid & stranded)
Maximum operating voltage	550 Vac
Maximum operating current	53 A

ACCESSORIES (TO BE ORDERED SEPARATELY)

Support bracket	SB-100, SB-101
Gland for PI cold leads	GL-44-M20-KIT hazardous area approved gland for cables Ø 5.5-13 mm
Gland for MI cold leads	Contact nVent or refer to DOC-606
Gland for power cable	GL-45-M32 hazardous area approved gland for cables Ø 12-21 mm
Loose terminals (*)	Phase/neutral terminal: HWA-WAGO-PHASE Earth terminal: HWA-WAGO-EARTH End plate: HWA-WAGO-ENDPLATE Terminal jumper: HWA-WAGO-JUMPER

ORDERING DETAILS

Order reference	nVent RAYCHEM JB-EX-21
Part number (Weight)	1244-000579 (1.2 kg)

(*) in total no more than 10 terminals should be installed.

Europe, Middle East, Africa

Tel +32.16.213.511
Fax +32.16.213.603
thermal.info@nvent.com

United Kingdom

Tel 0800 969 013
Fax 0800 968 624
salesthermalUK@nvent.com

Ireland

Tel 1800 654 241
Fax 1800 654 240
salesIE@nvent.com



nVent.com

Our powerful portfolio of brands:

CADDY ERICO HOFFMAN RAYCHEM SCHROFF TRACER