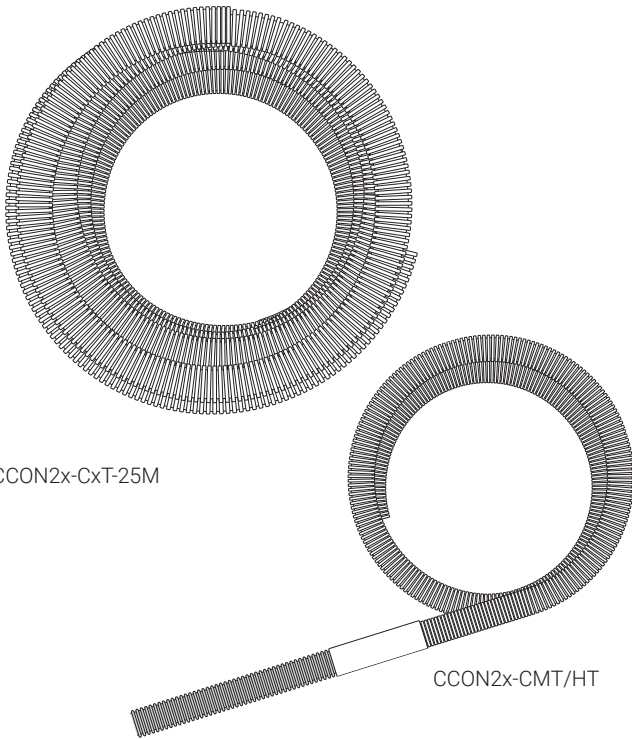


CONDUIT FOR PROTECTION OF HEATING CABLES



These conduits have been designed for use in combination with the conduit connection kits nVent RAYCHEM CCON2x-100-... They provide supplementary mechanical protection of the heating cable or cold lead between a junction box and the entry into the insulation. The conduit materials have been selected to meet the requirements for use in hazardous locations.

The resistance of the conduits to fuels, mineral oils, fats, alkalies, acids and bases is excellent.

The conduits can be cut-to-length as required in the field and can either be entered in the insulation directly or by use of an insulation entry kit.

APPLICATION

Conduit for protection of heating cables

APPROVALS

Meets electrostatic requirements for ATEX in gas groups IIA and IIB.
For gas group IIC special marking required. (Do not clean with a dry cloth)

PRODUCT SPECIFICATION

	M20	M25
Medium temperature conduit (150°C)		
	CCON20-CMT-...	CCON25-CMT-...
Conduit size	ND 17 mm	ND 23 mm
Outer diameter (nominal)	21.2 mm	28.5 mm
Bending radius (static)	40 mm	45 mm
Weight (kg/100 m)	5.7	9.9
Material	Modified polyamide	
Temperature range (continuous)	-40°C to +135°C (compatible with surface temperature of all heating cables)	
Exposure temperature	150°C (3000 h intermittent, cumulative)	
Impact strength	Minimum 6 J @ -40°C (empty conduit), min. 7 J with all heating cables	
Flame class	HB as per UL 94	

M20**M25****HIGH TEMPERATURE CONDUIT (260°C)**

	CCON20-CHT-...	CCON25-CHT-...
Conduit size	ND 17 mm	ND 23 mm
Outer diameter (nominal)	21.1 mm	28.8 mm
Bending radius (static)	15 mm	26 mm
Weight (kg/100 m)	8.3	14.8
Material	PFA	
Temperature range	-200°C to +260°C	
Impact strength	Minimum 2.5 J (empty conduit), min. 7 J with all heating cables	
Flame class	V0 as per UL 94	

COMBINED MEDIUM AND HIGH TEMPERATURE CONDUIT

	CCON20-CMT/HT-1.67/0.33M	CCON25-CMT/HT-1.67/0.33M
Ideal for direct entry into cladding for high pipe temperatures	1.67 m length of medium temperature conduit for connection to the junction box connected to 33 cm of high temperature conduit for connection to the hot surface.	

ORDERING DETAILS**M20****M25****CONDUIT SIZE**

	ND 17 mm	ND 23 mm
Pack of 2 m of medium temperature conduit	CCON20-CMT-2M (PN: 1244-003286/Weight: 0.12 kg)	CCON25-CMT-2M (PN: 1244-003281/Weight: 0.20 kg)
Pack of 25 m of medium temperature conduit	CCON20-CMT-25M (PN: 1244-003285/Weight: 1.44 kg)	CCON25-CMT-25M (PN: 1244-003280/Weight: 2.25 kg)
Pack of 2 m of high temperature conduit	CCON20-CHT-2M (PN: 1244-003289/Weight: 0.16 kg)	CCON25-CHT-2M (PN: 1244-003284/Weight: 0.28 kg)
Pack of 25 m of high temperature conduit	CCON20-CHT-25M (PN: 124-003288/Weight: 2.24 kg)	CCON25-CHT-25M (PN: 1244-003283/Weight: 3.90 kg)
1 pc of combination med./high temperature conduit (1.67 m medium temperature with 0.33 m high temperature)	CCON20-CMT/HT-1.67/0.33M (PN: 1244-003475/Weight: 0.135 kg)	CCON25-CMT/HT-1.67/0.33M (PN: 1244-003474/Weight: 0.24 kg)

ACCESSORIES

Insulation entry kit comprising of pipe stand with conduit connection system	IEK20-CON (PN: 1244-003291)	IEK25-CON (PN: 1244-003290)
------------------------------------------------------------------------------	--------------------------------	--------------------------------

KIT CONTENT

2 pipe stands	1 pipe stand
2 conduit connectors	1 conduit connector
Pipe straps need to be ordered separately	Pipe straps need to be ordered separately

North America

Tel +1.800.545.6258
 Fax +1.800.527.5703
 thermal.info@nvent.com

Europe, Middle East, Africa

Tel +32.16.213.511
 Fax +32.16.213.604
 thermal.info@nvent.com

Asia Pacific

Tel +86.21.2412.1688
 Fax +86.21.5426.3167
 cn.thermal.info@nvent.com

Latin America

Tel +1.713.868.4800
 Fax +1.713.868.2333
 thermal.info@nvent.com



nVent.com

Our powerful portfolio of brands:

CADDY ERICO HOFFMAN RAYCHEM SCHROFF TRACER